

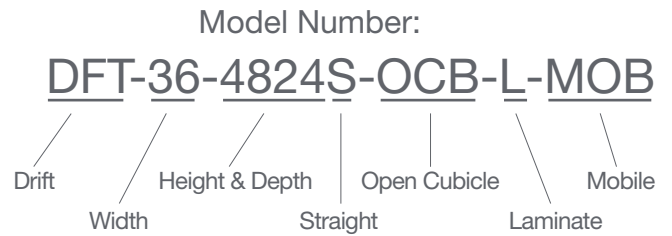
“How do I add finishes to...”

Drift Storage

Select your desired Drift Storage unit from the mediatechnologies Drift Price sheet by model number.

Follow the Step-by-Step method to tell us how you want your Drift Storage unit finished. Make sure you indicate your finish choice for each step below in your purchase order. We will list your choices as notes below each individual model number in your order acknowledgement.

To the right is a simple explanation of a mediatechnologies Drift Storage model number.

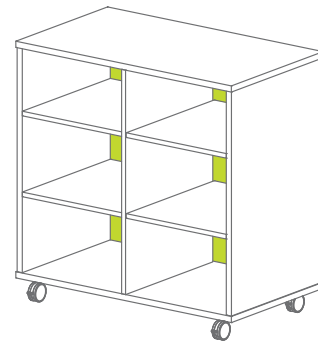


Step 1: Select HPL or TFL for back panel. Or select powder coat for perforated steel back panel, if applicable.

Choose from our selection of finishes.
See our selection of finish choices at
<https://www.mediatechnologies.com/resources/finishes>

Enter your selection on “Back Panel HPL/TFL/Powder Coat” line on the last page of this designator.

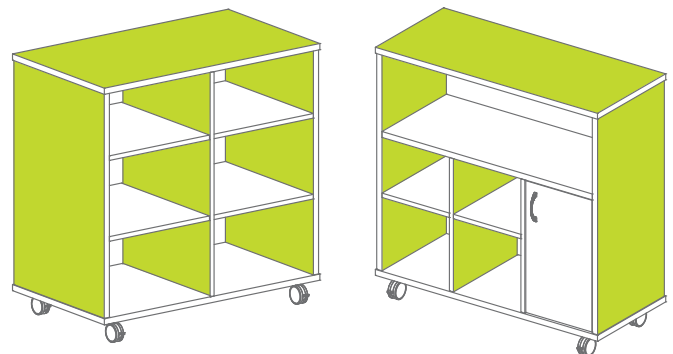
** Note: if marker board back is specified, inside of back will match top, vertical sides and vertical divider.*



Step 2: Select HPL or TFL for top, ends and intermediate panels, if applicable.

Choose from our selection of finishes.
See our selection of finish choices at
<https://www.mediatechnologies.com/resources/finishes>

Enter your selection on “Top, Ends/Intermediate Panels HPL/TFL” line on the last page of this designator.



“How do I add finishes to...”

Drift Storage

Step 3:

Select HPL or TFL for the fixed base (shelf).

Choose from our selection of finishes

See our selection of finish choices at

<https://www.mediatechnologies.com/resources/finishes>

Enter your selection on “Fixed Base (Shelf) HPL/TFL” line on the last page of this designator.



Step 4:

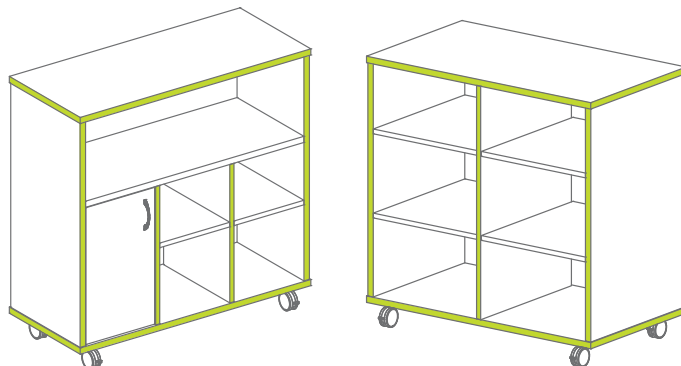
Select PVC for top, ends, intermediate panels, and fixed base (shelf) edges.

Choose from our selection of finishes

See our selection of finish choices at

<https://www.mediatechnologies.com/resources/finishes>

Enter your selection on “Top/Ends/Intermediate Panels/Fixed Base (Shelf) PVC” line on the last page of this designator.



Step 5:

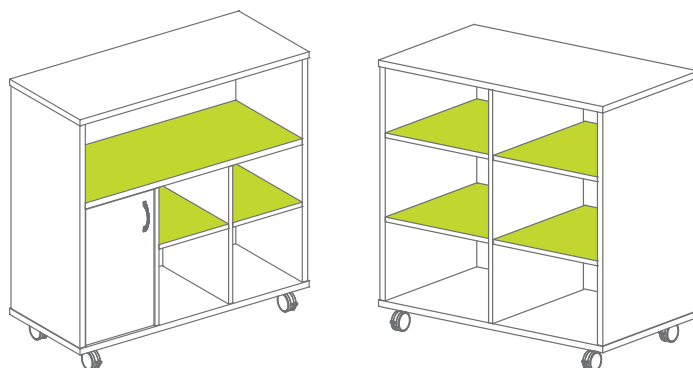
Select HPL or TFL for adjustable shelves.

Choose from our selection of finishes.

See our selection of finish choices at

<https://www.mediatechnologies.com/resources/finishes>

Enter your selection on “Adjustable Shelves HPL/TFL” line on the last page of this designator.



“How do I add finishes to...”

Drift Storage

Step 6:

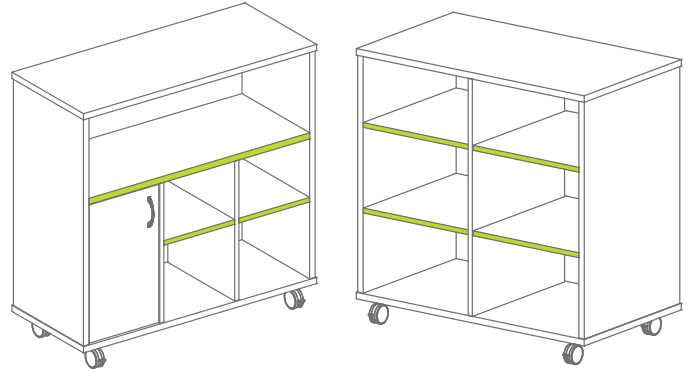
Select PVC for adjustable shelves edges.

Choose from our selection of finishes.

See our selection of finish choices at

<https://www.mediatechnologies.com/resources/finishes>

Enter your selection on the “Adjustable Shelves PVC” line on the last page of this designator.



Step 7:

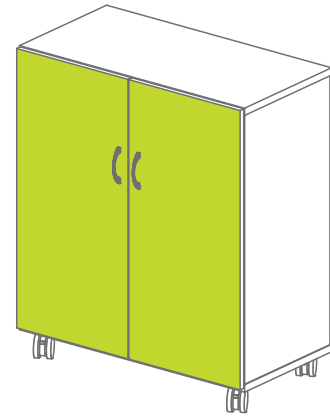
Select HPL or TFL for door, if applicable.

Choose from our selection of finishes.

See our selection of finish choices at

<https://www.mediatechnologies.com/resources/finishes>

Enter your selection on the “Door HPL/TFL” line on the last page of this designator.



Step 8:

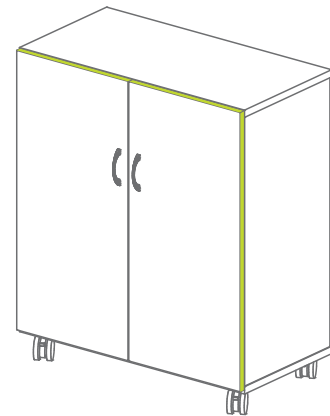
Select PVC for door edges, if applicable.

Choose from our selection of finishes.

See our selection of finish choices at

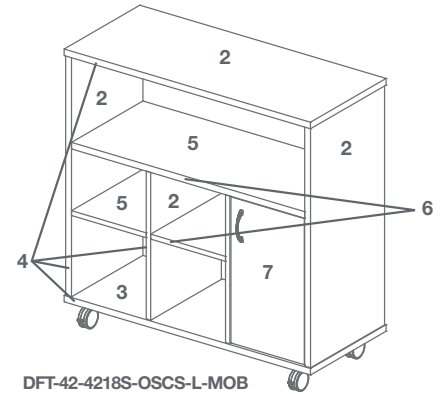
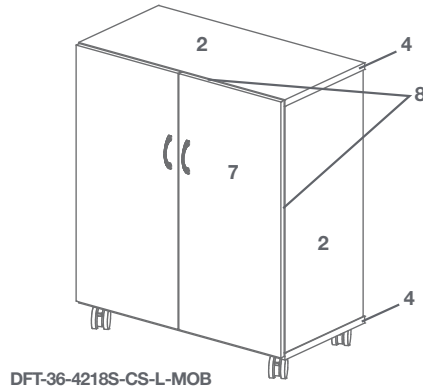
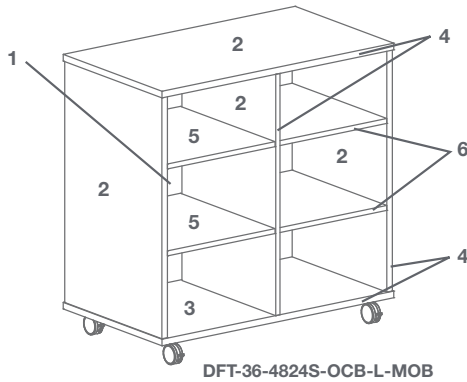
<https://www.mediatechnologies.com/resources/finishes>

Enter your selection on the “Door PVC” line on the last page of this designator.



“How do I add finishes to...”

Drift Storage



Job:

Model Number:

Finish Schedule:

1 Back Panel HPL/TFL/Powder Coat:

2 Top, Ends/Intermediate Panels HPL/TFL:

3 Fixed Base (Shelf) HPL/TFL:

4 Top/Ends/Intermediate Panels/Fixed Base (Shelf) PVC:

5 Adjustable Shelves HPL/TFL:

6 Adjustable Shelves PVC:

7 Door HPL/TFL:

8 Door PVC:
