

COLUMN WRAPS

Tables

General Specifications

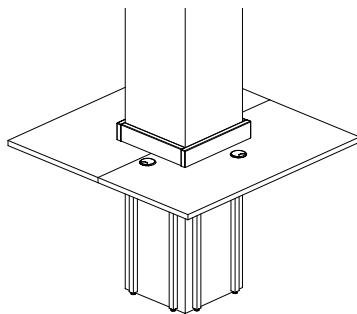
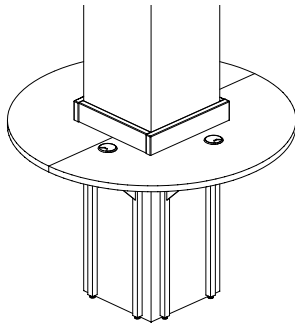
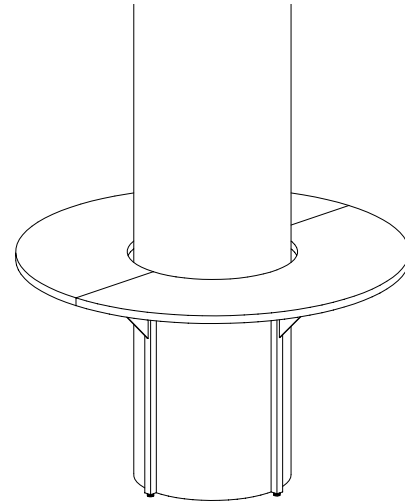
Tops for Round Column: Top surface is 1-1/4" thick. Top of work surface is .050 high-pressure laminate with .030 phenolic backer. Work surface is mounted to a powder coated steel leg frame which is fixed to the column. Edgebanding is 3mm PVC. Tops are going to be held back 1" all the way around the column but will be banded with PVC.

Tops for Square Column: Top surface is 1-1/4" thick. Top of work surface is .050 high-pressure laminate with .030 phenolic backer. Work surface is mounted to a powder coated steel leg frame which is fixed to the column. Edgebanding is 3mm PVC. Tops will have 4" tall backsplash around the column with optional grommets for cable management.

Metal Leg Frames: Steel post leg is a 16 GA 1" square tube style leg weldment with a 2-1/8" x 13" steel mounting plate and a 1-1/8" black leveling glide. Customer specifies powder coat color. Hole in steel tube provided for attachment to the column. Leg frames attach to the top using supplied #12 x 1" PH screws.

Column Wrap Tables Standard Heights: 29", 36" and 39" configurations.

Please contact your mtcontract sales representative for a column wrap consultation.



Column Wrap Table, 18" Square Column

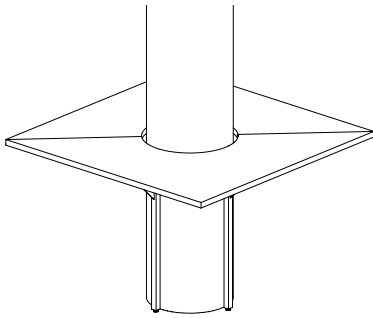
Model Number	Description	Wt.	List Price
CWT-C0054-29-18SC	54" DIA/18" Square column,(4) cantilevered steel legs with leveling glides, 29"H	130	\$2,471
CWT-C0060-29-18SC	60" DIA/18" Square column,(4) cantilevered steel legs with leveling glides, 29"H	138	\$2,571
CWT-C0066-29-18SC	66" DIA/18" Square column,(4) cantilevered steel legs with leveling glides, 29"H	149	\$2,720
CWT-C0072-29-18SC	72" DIA/18" Square column,(4) cantilevered steel legs with leveling glides, 29"H	170	\$2,890
CWT-C0054-36-18SC	54" DIA/18" Square column,(4) cantilevered steel legs with leveling glides, 36"H	130	\$2,521
CWT-C0060-36-18SC	60" DIA/18" Square column,(4) cantilevered steel legs with leveling glides, 36"H	138	\$2,641
CWT-C0066-36-18SC	66" DIA/18" Square column,(4) cantilevered steel legs with leveling glides, 36"H	149	\$2,770
CWT-C0072-36-18SC	72" DIA/18" Square column,(4) cantilevered steel legs with leveling glides, 36"H	170	\$2,940
CWT-C0054-42-18SC	54" DIA/18" Square column,(4) cantilevered steel legs with leveling glides, 42"H	130	\$2,521
CWT-C0060-42-18SC	60" DIA/18" Square column,(4) cantilevered steel legs with leveling glides, 42"H	138	\$2,641
CWT-C0066-42-18SC	66" DIA/18" Square column,(4) cantilevered steel legs with leveling glides, 42"H	149	\$2,770
CWT-C0072-42-18SC	72" DIA/18" Square column,(4) cantilevered steel legs with leveling glides, 42"H	170	\$2,940

Column Wrap Table, 24" Square Column

Model Number	Description	Wt.	List Price
CWT-C0054-29-24SC	54" DIA/24" Square column,(8) cantilevered steel legs with leveling glides, 29"H	130	\$2,471
CWT-C0060-29-24SC	60" DIA/24" Square column,(8) cantilevered steel legs with leveling glides, 29"H	138	\$2,571
CWT-C0066-29-24SC	66" DIA/24" Square column,(8) cantilevered steel legs with leveling glides, 29"H	149	\$2,720
CWT-C0072-29-24SC	72" DIA/24" Square column,(8) cantilevered steel legs with leveling glides, 29"H	170	\$2,890
CWT-C0054-36-24SC	54" DIA/24" Square column,(8) cantilevered steel legs with leveling glides, 36"H	130	\$2,521
CWT-C0060-36-24SC	60" DIA/24" Square column,(8) cantilevered steel legs with leveling glides, 36"H	138	\$2,641
CWT-C0066-36-24SC	66" DIA/24" Square column,(8) cantilevered steel legs with leveling glides, 36"H	149	\$2,770
CWT-C0072-36-24SC	72" DIA/24" Square column,(8) cantilevered steel legs with leveling glides, 36"H	170	\$2,940
CWT-C0054-42-24SC	54" DIA/24" Square column,(8) cantilevered steel legs with leveling glides, 42"H	130	\$2,521
CWT-C0060-42-24SC	60" DIA/24" Square column,(8) cantilevered steel legs with leveling glides, 42"H	138	\$2,641
CWT-C0066-42-24SC	66" DIA/24" Square column,(8) cantilevered steel legs with leveling glides, 42"H	149	\$2,770
CWT-C0072-42-24SC	72" DIA/24" Square column,(8) cantilevered steel legs with leveling glides, 42"H	170	\$2,940

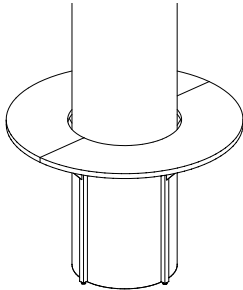
COLUMN WRAPS

Tables



Column Wrap Table, 18" Round Column

Model Number	Description	Wt.	List Price
CWT-C0054-29-18C	54" DIA/18" Round column,(4) cantilevered steel legs with leveling glides, 29"H	130	\$2,471
CWT-C0060-29-18C	60" DIA/18" Round column,(4) cantilevered steel legs with leveling glides, 29"H	138	\$2,571
CWT-C0066-29-18C	66" DIA/18" Round column,(4) cantilevered steel legs with leveling glides, 29"H	149	\$2,720
CWT-C0072-29-18C	72" DIA/18" Round column,(4) cantilevered steel legs with leveling glides, 29"H	170	\$2,890
CWT-C0054-36-18C	54" DIA/18" Round column,(4) cantilevered steel legs with leveling glides, 36"H	130	\$2,521
CWT-C0060-36-18C	60" DIA/18" Round column,(4) cantilevered steel legs with leveling glides, 36"H	138	\$2,641
CWT-C0066-36-18C	66" DIA/18" Round column,(4) cantilevered steel legs with leveling glides, 36"H	149	\$2,770
CWT-C0072-36-18C	72" DIA/18" Round column,(4) cantilevered steel legs with leveling glides, 36"H	170	\$2,940
CWT-C0054-42-18C	54" DIA/18" Round column,(4) cantilevered steel legs with leveling glides, 42"H	130	\$2,521
CWT-C0060-42-18C	60" DIA/18" Round column,(4) cantilevered steel legs with leveling glides, 42"H	138	\$2,641
CWT-C0066-42-18C	66" DIA/18" Round column,(4) cantilevered steel legs with leveling glides, 42"H	149	\$2,770
CWT-C0072-42-18C	72" DIA/18" Round column,(4) cantilevered steel legs with leveling glides, 42"H	170	\$2,940



Column Wrap Table, 24" Round Column

Model Number	Description	Wt.	List Price
CWT-C0054-29-24C	54" DIA/24" Round column,(8) cantilevered steel legs with leveling glides, 29"H	130	\$2,471
CWT-C0060-29-24C	60" DIA/24" Round column,(8) cantilevered steel legs with leveling glides, 29"H	138	\$2,571
CWT-C0066-29-24C	66" DIA/24" Round column,(8) cantilevered steel legs with leveling glides, 29"H	149	\$2,720
CWT-C0072-29-24C	72" DIA/24" Round column,(8) cantilevered steel legs with leveling glides, 29"H	170	\$2,890
CWT-C0054-36-24C	54" DIA/24" Round column,(8) cantilevered steel legs with leveling glides, 36"H	130	\$2,521
CWT-C0060-36-24C	60" DIA/24" Round column,(8) cantilevered steel legs with leveling glides, 36"H	138	\$2,641
CWT-C0066-36-24C	66" DIA/24" Round column,(8) cantilevered steel legs with leveling glides, 36"H	149	\$2,770
CWT-C0072-36-24C	72" DIA/24" Round column,(8) cantilevered steel legs with leveling glides, 36"H	170	\$2,940
CWT-C0054-42-24C	54" DIA/24" Round column,(8) cantilevered steel legs with leveling glides, 42"H	130	\$2,521
CWT-C0060-42-24C	60" DIA/24" Round column,(8) cantilevered steel legs with leveling glides, 42"H	138	\$2,641
CWT-C0066-42-24C	66" DIA/24" Round column,(8) cantilevered steel legs with leveling glides, 42"H	149	\$2,770
CWT-C0072-42-24C	72" DIA/24" Round column,(8) cantilevered steel legs with leveling glides, 42"H	170	\$2,940

Set Up Charges and Upcharges for Non-Standard and Custom Finishes

Model Number	Description	List Price
Group 2 Powder Coat	Set up charge, per color, per order, for Group 2 Powder Coat	\$312
Non-Standard PVC	Upcharge, per color, per order, for non-standard PVC	\$865

Required to order: Model # including:

- HPL selection
- PVC edgeband
- Powder coat color (Porter adjustable height table bases are available in a limited number of powder coat color options. Contact factory for details.