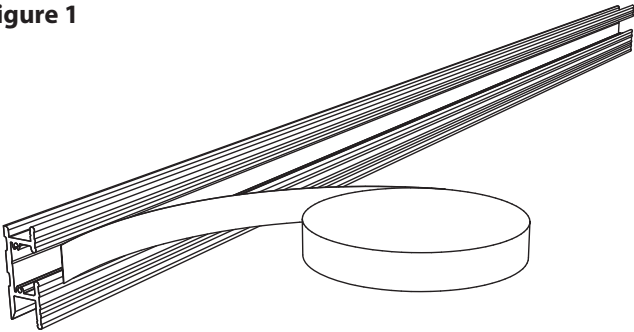


## Fastener Concealment Instructions

**Tools Required:**  
Scissors

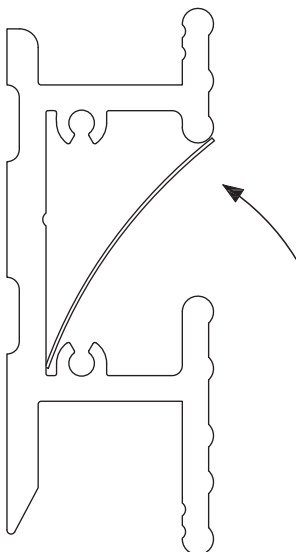
- 1 Unroll fastener concealment vinyl and cut to required length with scissors. See Figure 1.

**Figure 1**



- 2 Slide the bottom edge of the fastener concealment vinyl into the screw channel located in the bottom of the center of the horizontal mounting track along the entire length of the horizontal mounting track. See Figure 2.

**Figure 2**



- 3 Gently push the top edge of the fastener concealment vinyl behind the top lip of the horizontal mounting track. See Figure 3.

**Figure 3**

